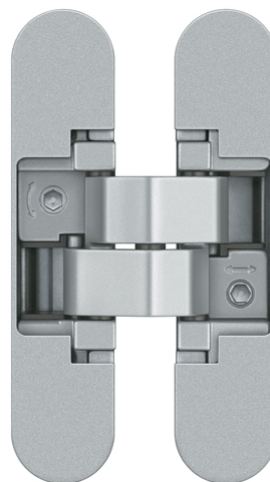


AN 170 3D

for unrebated residential doors with 21 mm reduced hinge frame part up to 60 kg

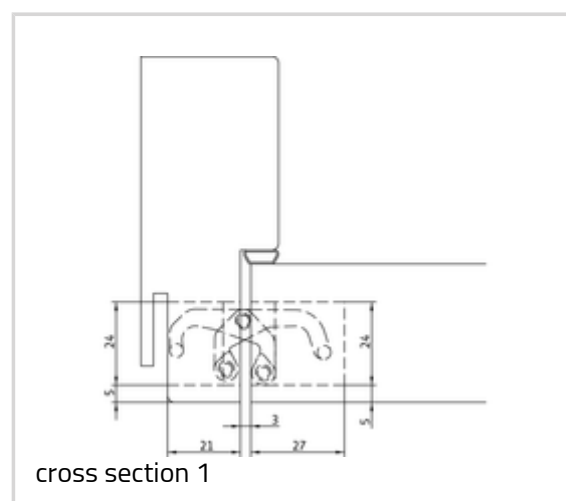
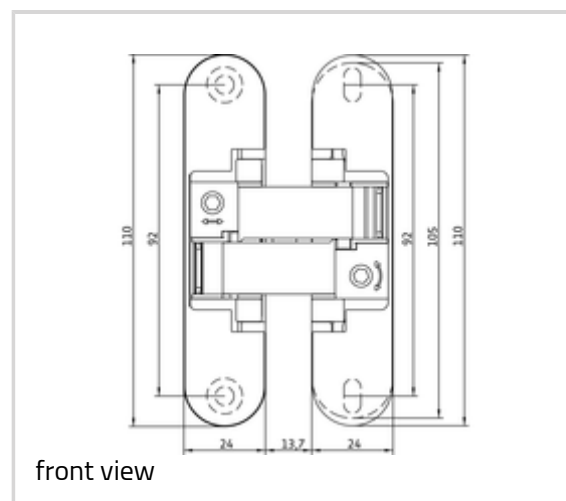


Product features

- reduced hinge frame part 21 mm
- completely concealed hinge system
- for timber frames
- for unrebated residential doors
- 3D adjustable (side +/- 1,5 mm, height +/- 2,5 mm, compression +/- 1,0 mm)
- material zamak

Technical details

Attributes	Value
Load capacity	60,0 kg
Overall length	110,0 mm
Width (door part)	24,0 mm
Width (frame part)	24,0 mm
Cutter diameter	14,0 or 16,0 mm
Collar ring diameter	25,0 or 27,0 mm
Opening angle	180°



Note

Anselmi - AN 170 3D

The load capacity mentioned above refers to the use of 2 hinges per door leaf (900 x 2100 mm).

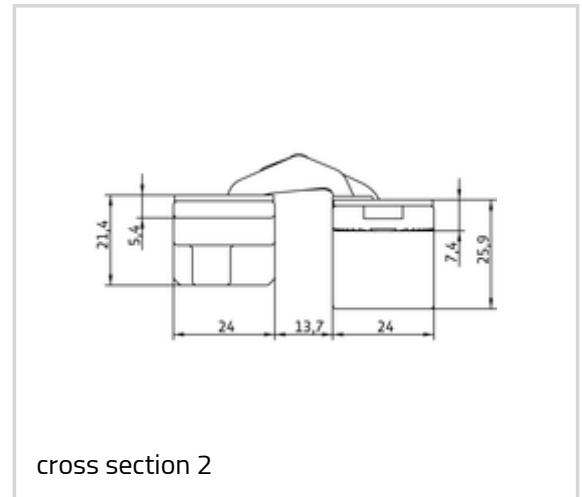
Suggested screws:

Frame side: Countersunk head screw DIN 7505 A, Diameter 4,5 mm

Door side: Pan head screw DIN 7505 B, Diameter 4,5 mm

Combinations

AN 140 3D FZ



Item

Finish(es)	AN 014-Satin Chrome
OF-NR.	014
VPE	pack of 2
DIN	DIN right and left hand
EAN	8054608705098
Finish(es)	AN 017-Coated Bronze
OF-NR.	017
VPE	pack of 2
DIN	DIN right and left hand
EAN	8054608705104
Finish(es)	AN 018-Black
OF-NR.	018
VPE	pack of 2
DIN	DIN right and left hand
EAN	8054608705111
Finish(es)	AN 035-Antique Bronze
OF-NR.	035
VPE	pack of 2
DIN	DIN right and left hand
EAN	8054608705135
Finish(es)	AN 036-Aluminium Chrome
OF-NR.	036
VPE	pack of 2
DIN	DIN right and left hand

Anselmi - AN 170 3D

EAN	8054608705142
Finish(es)	AN 037-Polished Brass
OF-NR.	037
VPE	pack of 2
DIN	DIN right and left hand
EAN	8054608705159
Finish(es)	AN 039-Polished Chrome
OF-NR.	039
VPE	pack of 2
DIN	DIN right and left hand
EAN	8054608705197
Finish(es)	AN 044-Satin Nickel
OF-NR.	044
VPE	pack of 2
DIN	DIN right and left hand
EAN	8054608705180
Finish(es)	AN 049-RAL 9016 Traffic White
OF-NR.	049
VPE	pack of 2
DIN	DIN right and left hand
EAN	8054608705128