

DA

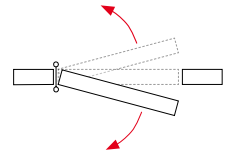
SST

AISI 304

AISI 316

DA 120 / DA 180 / DA A 180

Double action spring hinges prepared to work in especially harsh environments. Available in stainless steel AISI 304 and AISI 316 stainless steel, better known as "Marine Steel". DA 180 model available in 2 different widths, 40 and 50 mm.



Outside materials

- blade: SST AISI 304 or AISI 316 polished
- adjustable cap and washers: SST AISI 316

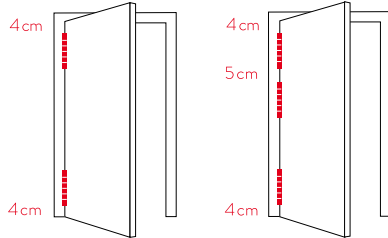
Inside materials

- inner axle: SST AISI 304 or AISI 316
- inner spring: SST blades set with protective grease

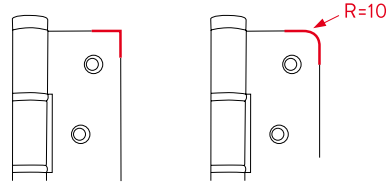
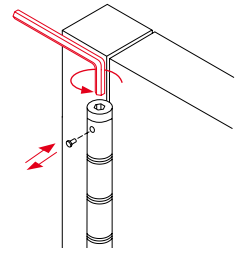
Performance

- application: suitable for indoor/outdoor installation
- automatic return: yes
- adjustable return power: yes
- maximum door opening: 180°
- working cycles: up to 500.000

Proper installation of 2 and 3 hinges

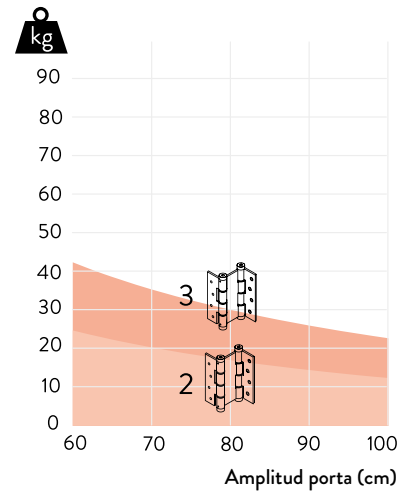
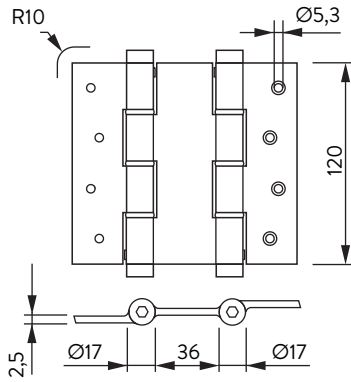
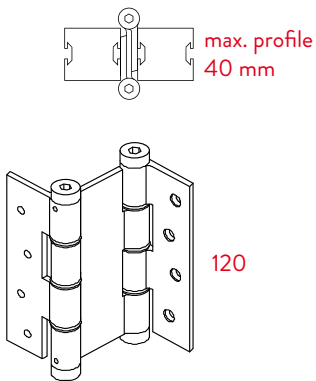


Tension

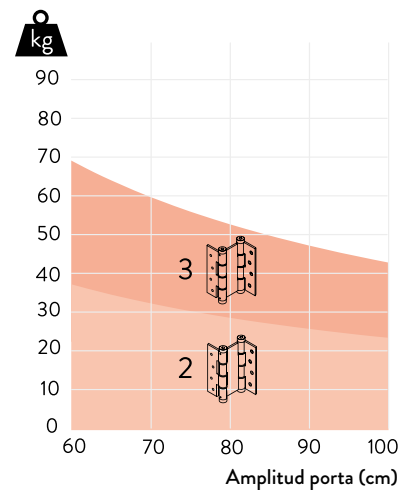
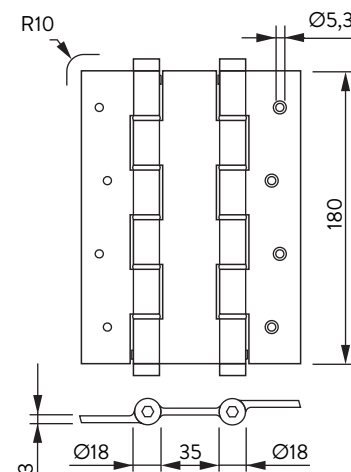
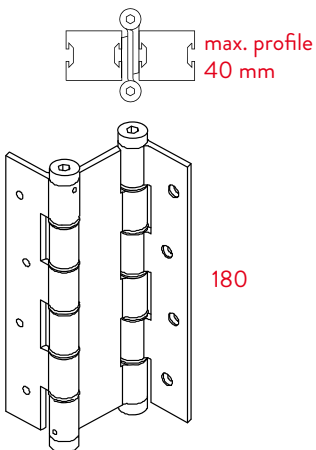


3-points adjusting cap

DA 120

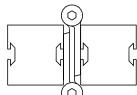


DA 180

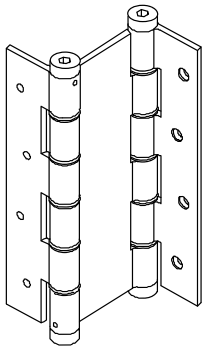


DA double action

DA A
180



max. profile
50 mm



180

