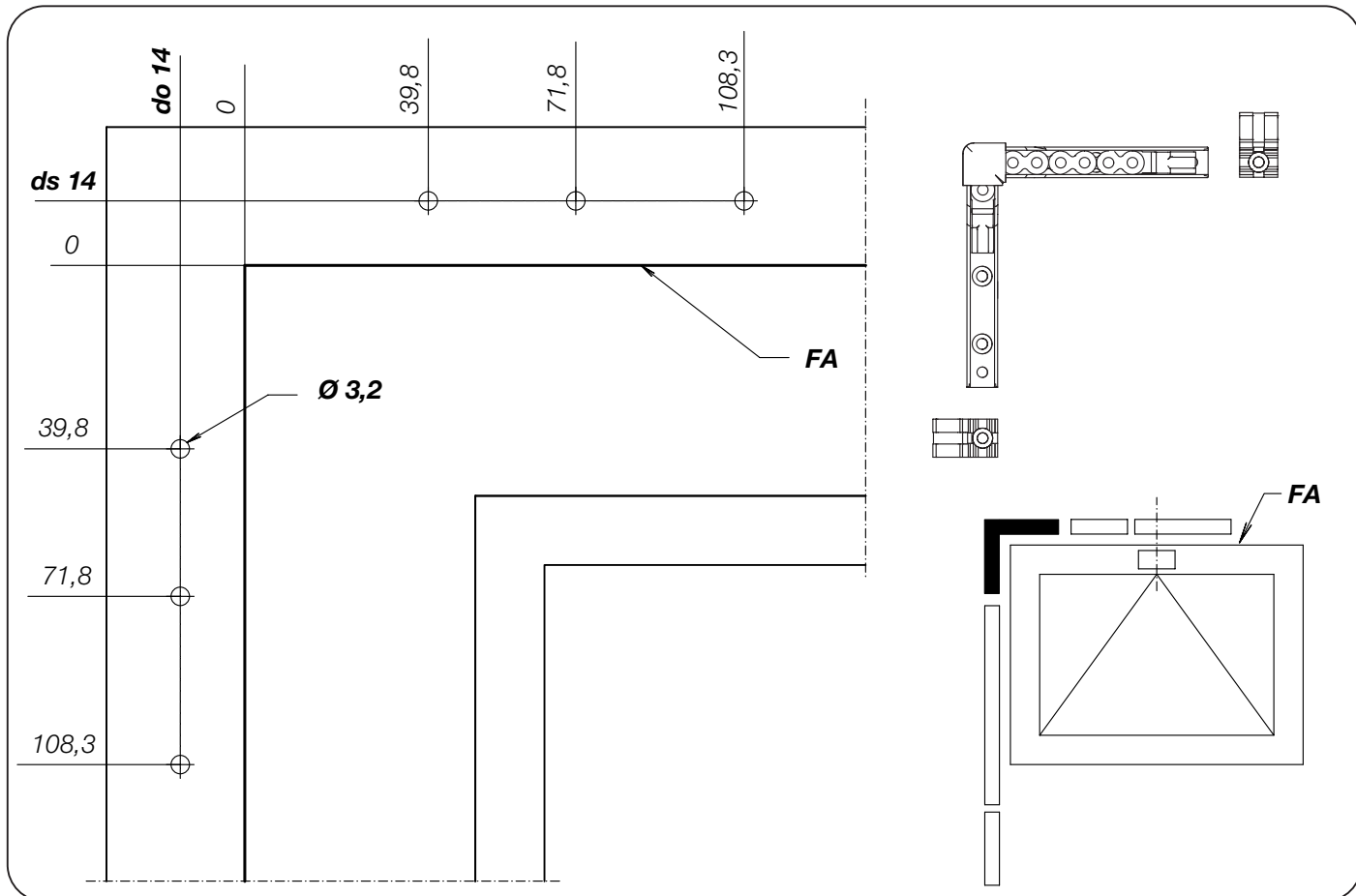
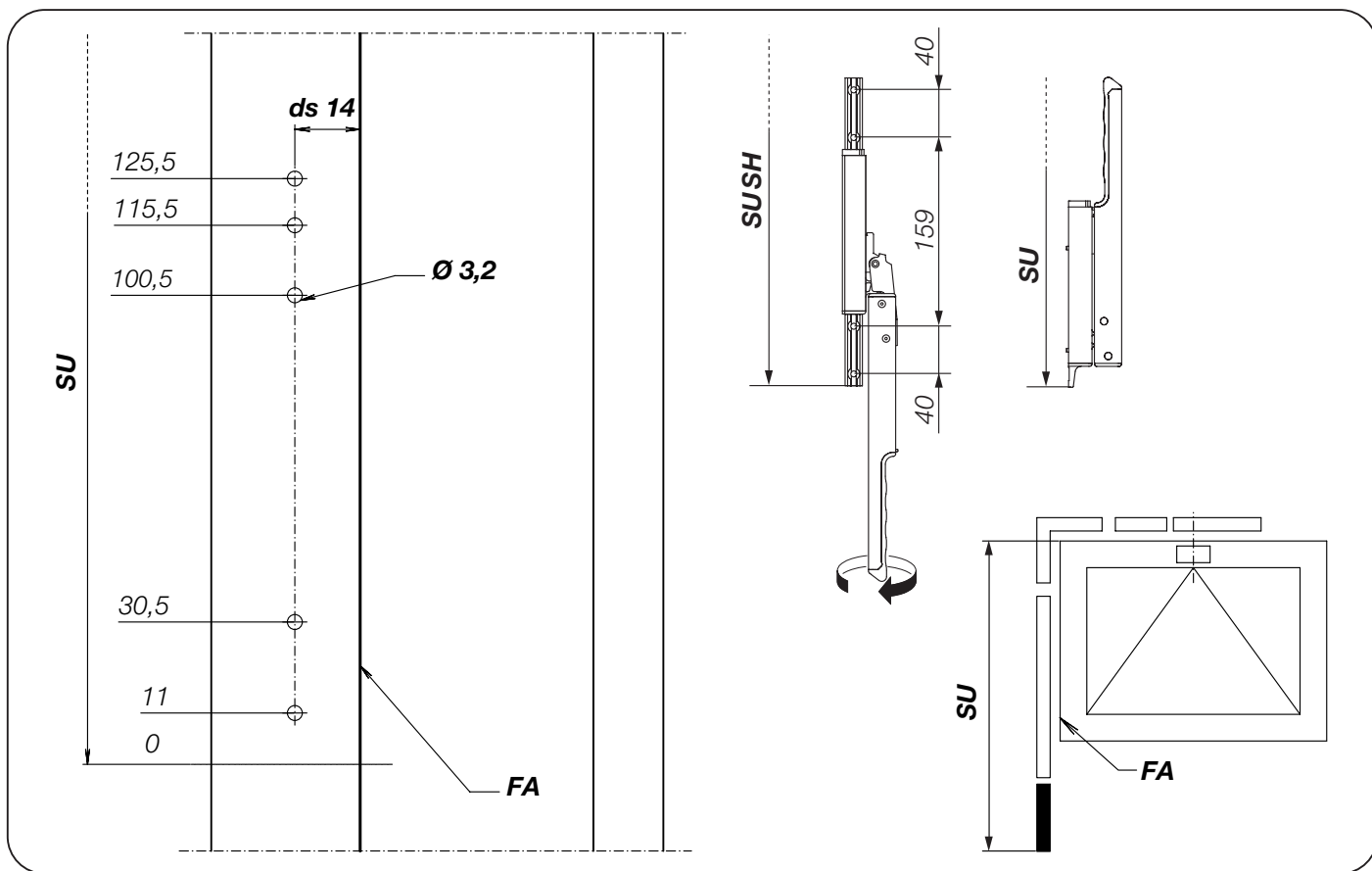
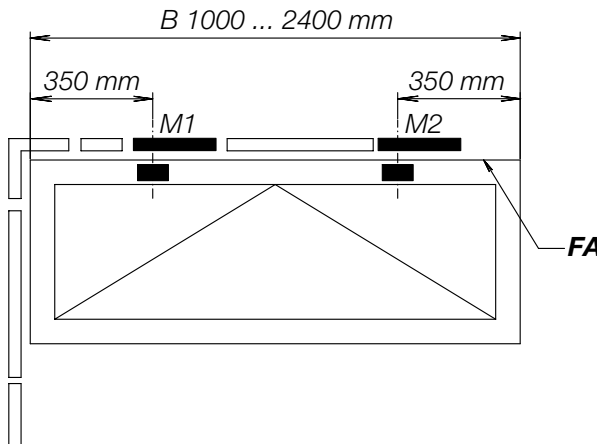
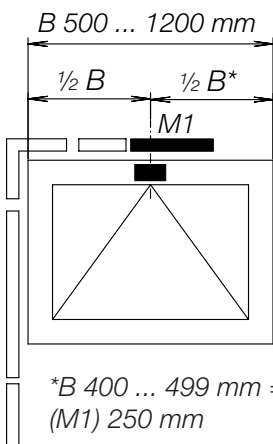
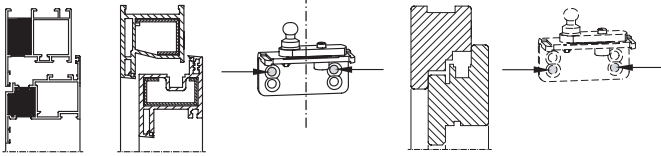
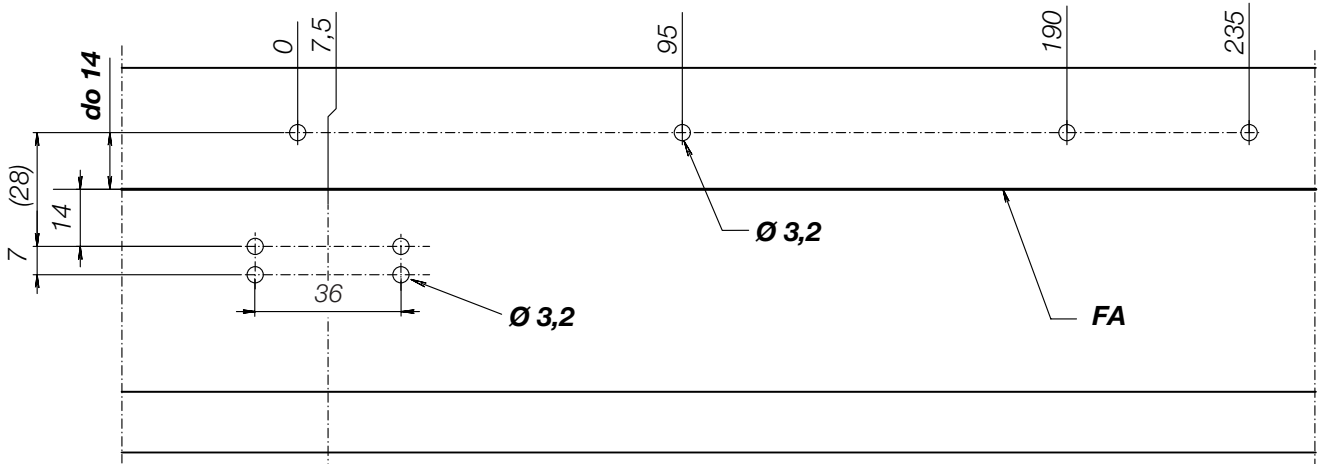


# PRIMAT-FL 190





\* $B\ 400 \dots 499\ mm = (M1)\ 250\ mm$

