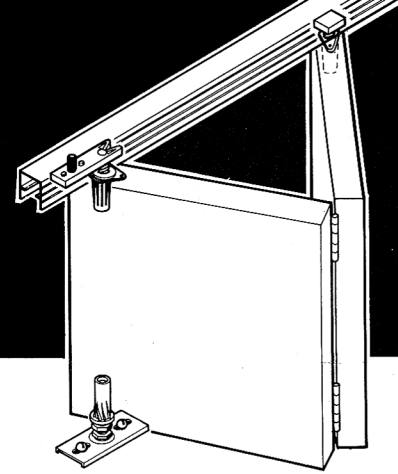
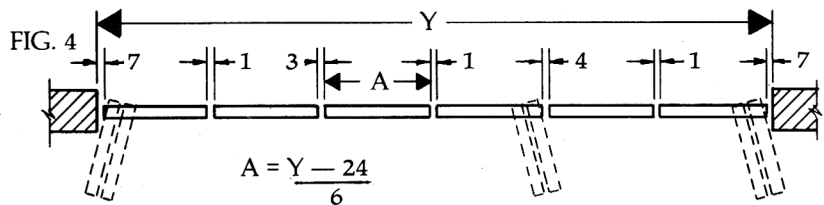
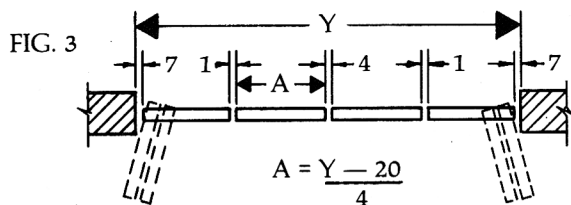
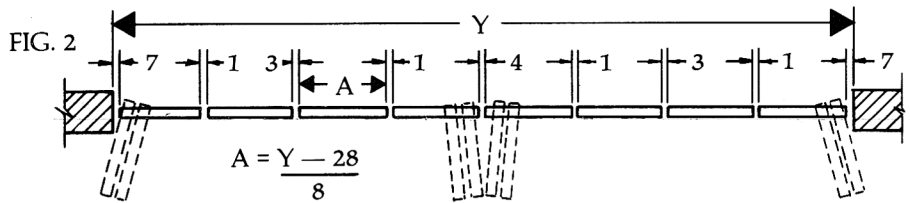
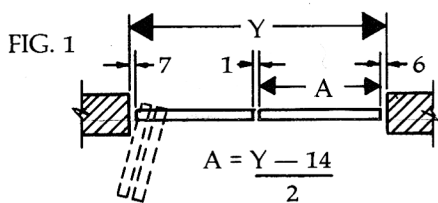
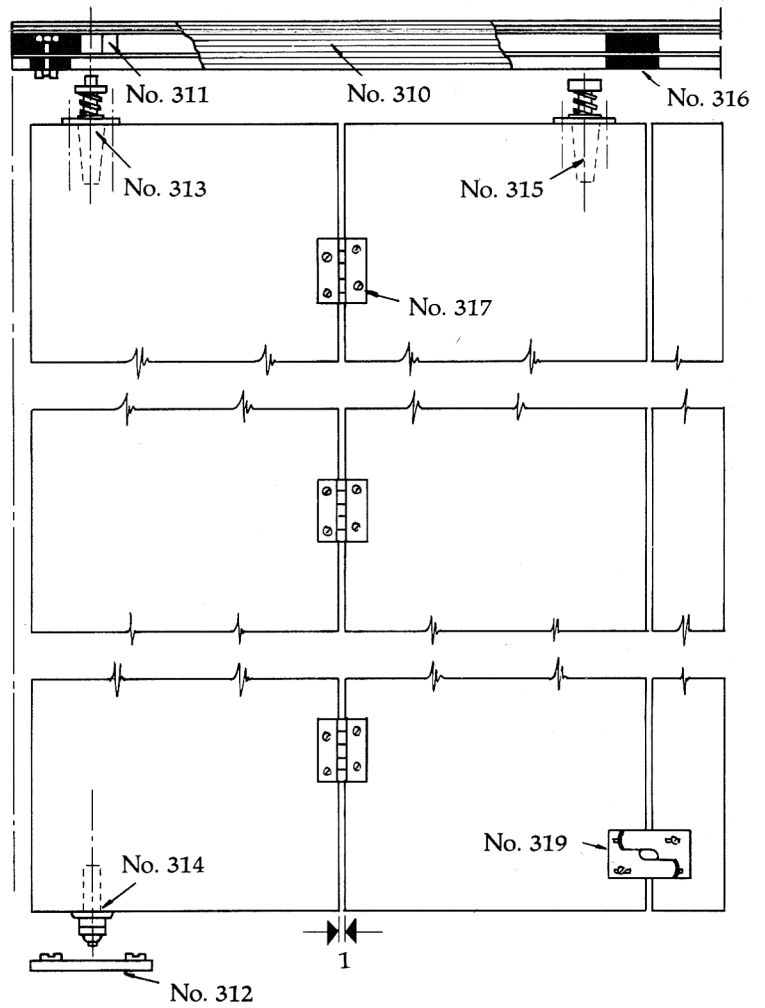
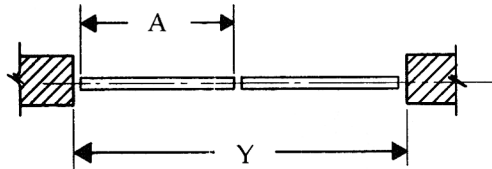
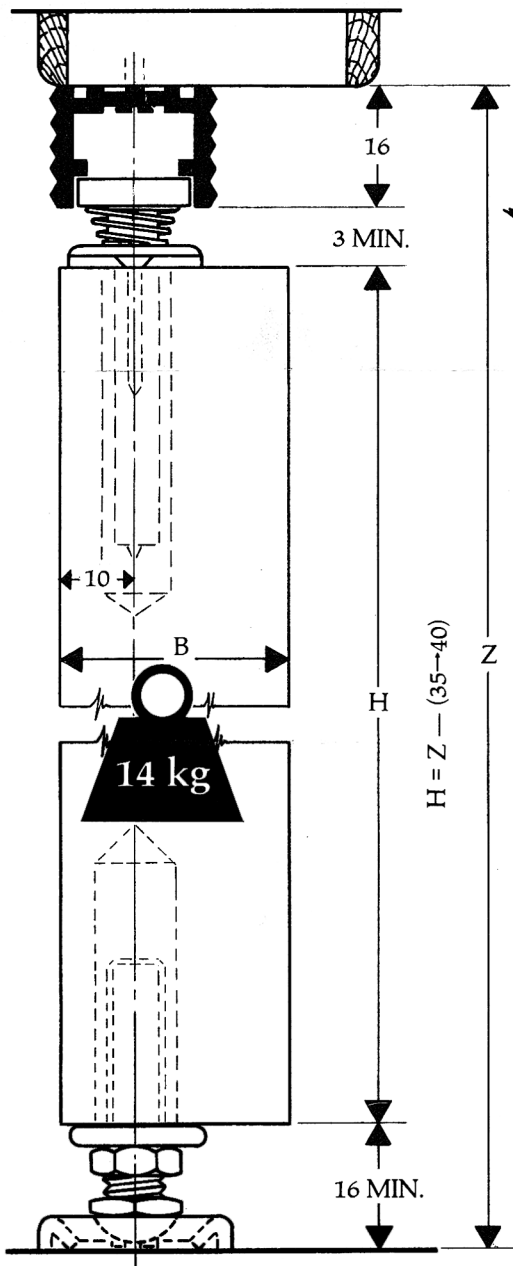


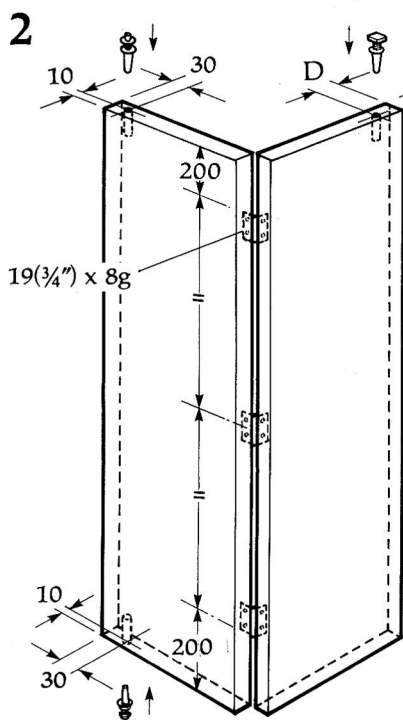
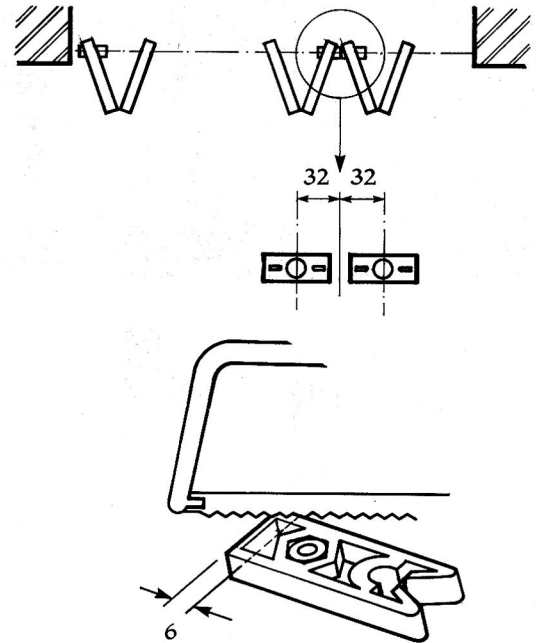
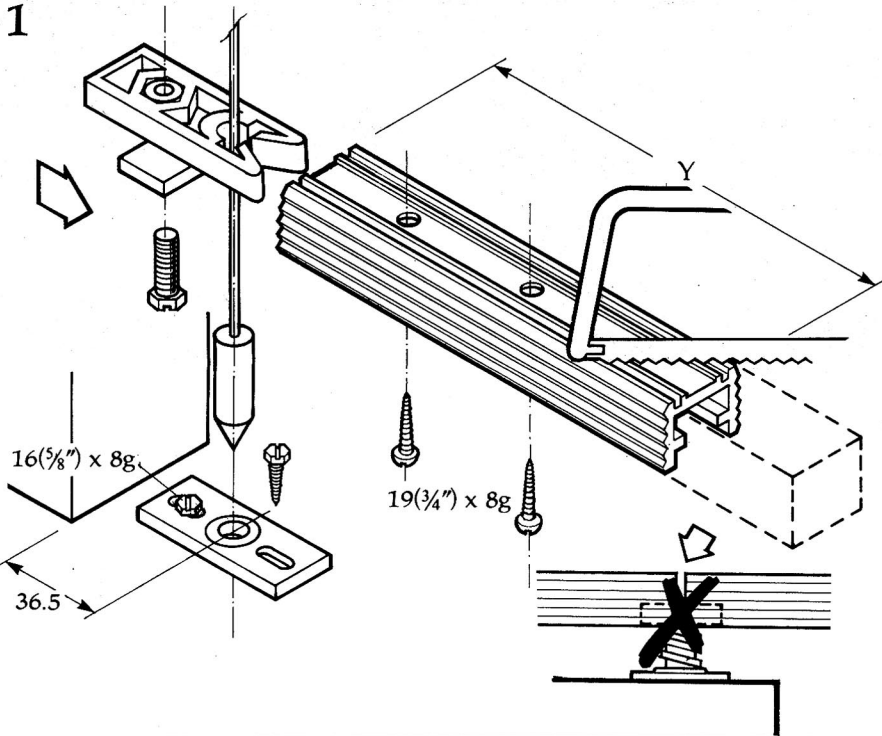
HENDERSON BIFOLD



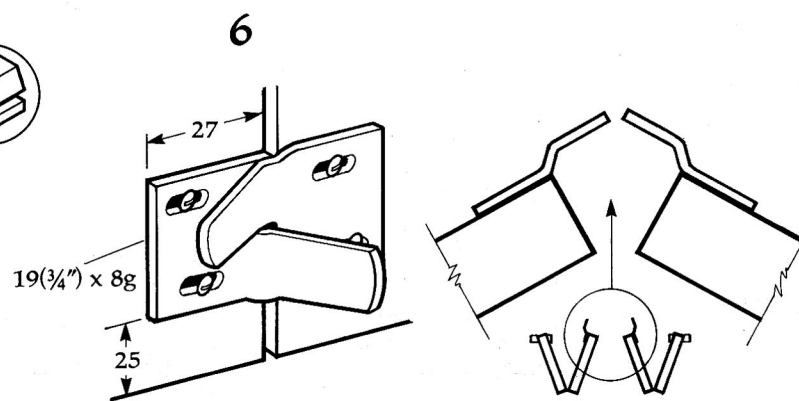
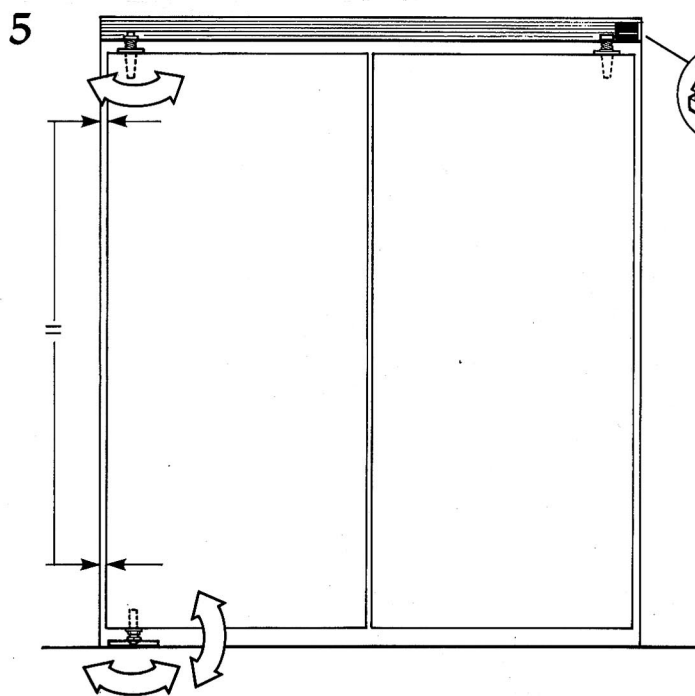
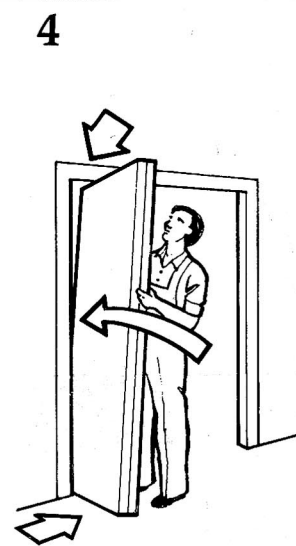
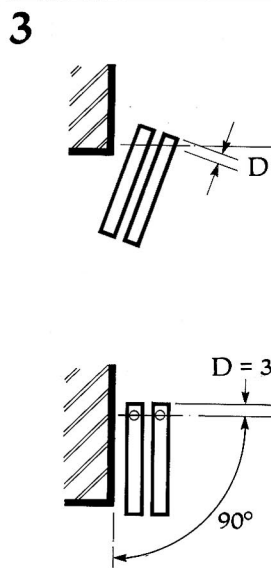
B = 20-35
A = 530 MAX.

B10/2 Y = 915-1067
B15/4 Y = 1068-1525
B20/4 Y = 1526-2135





B	D
19→24	22
25→35	17



PCHenderson Limited • Bowburn • Durham • DH65NG • England

HEPWORTH HOME PRODUCTS

A DIVISION OF HEPWORTH PLC